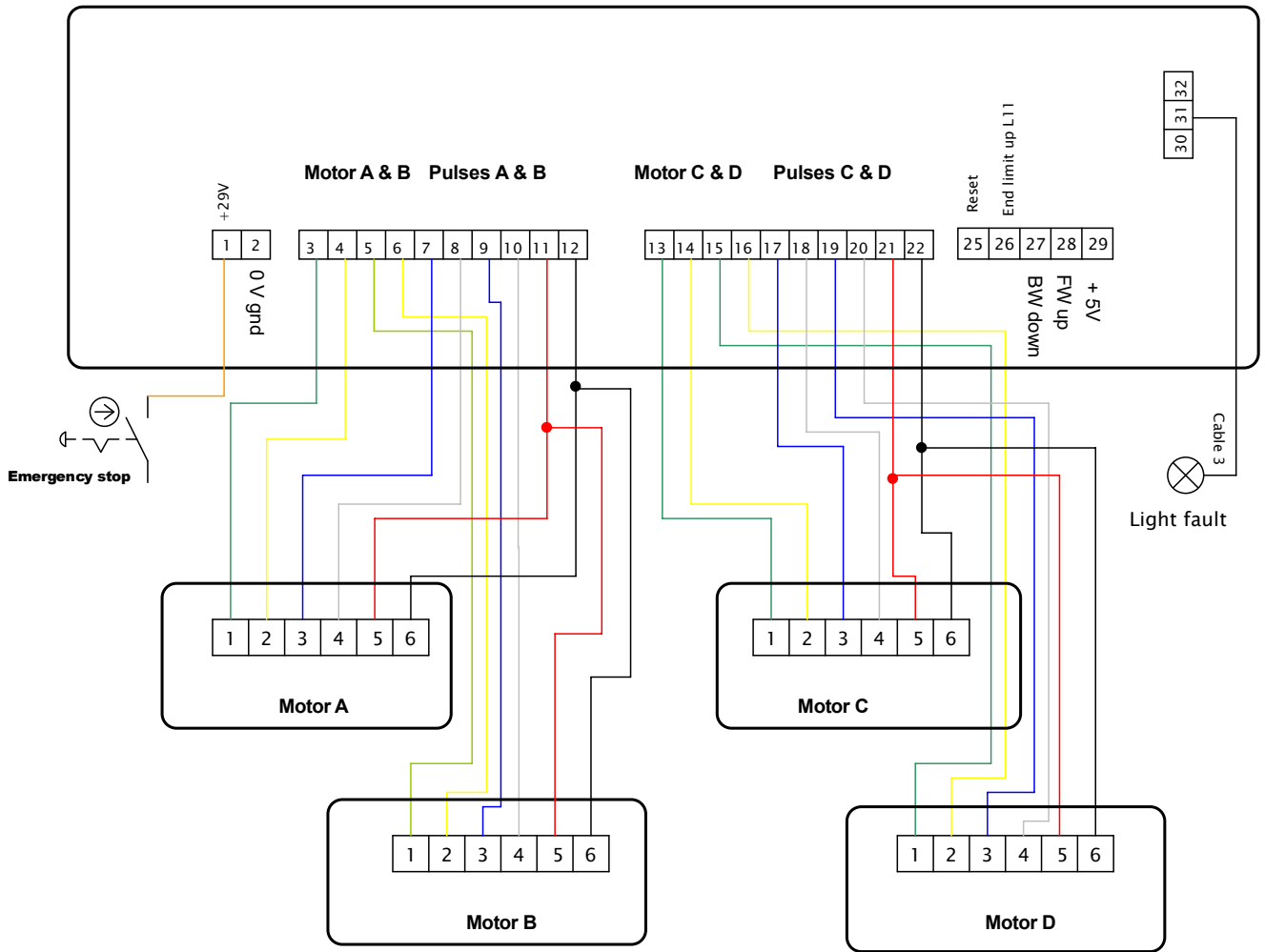


# 4 columns power control EM – 337 – M4




Colors and connection from motor A - D

1 = M+ Green    2 = M- Yellow    3 = pulse A0- D0 Blue    4 = pulse A90 - D90 White    5 = sensor supply Red    6 = sensor gnd black

## TECHNICAL DATA

Supply voltage 10-35V    Motor current: (@ 2kHz / 16kHz) 4x25A max. in start    5V aux. output max 20mA

CE Electromagnetic compatibility    **EN-55022B and EN 61000-6-2/ -4-2...6**

Responsible dep.	Technical reference	Created	Approved <b>Stefan Augustsson</b>		
<b>Tech Line Brämhult</b>  		Document type	control EM-337-M4		
		Title, supplementary title	Date of issue 2019-10-21		Rev. Lang.    Sheet
		<b>Tech Lift M4</b>			