

1

2

3

4

5

6

RevNo

Revision note

Date

Signature

Checked

A

A

B

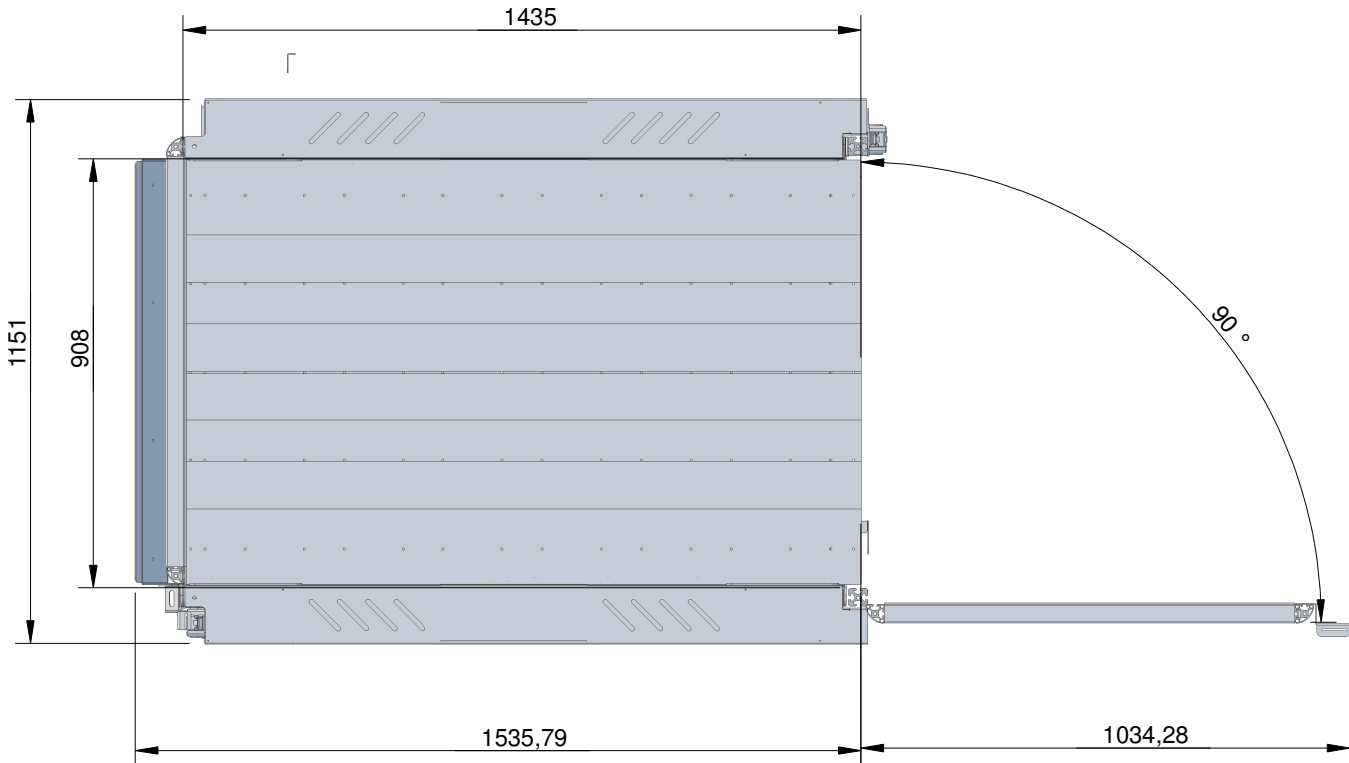
B

C

C

D

D



Itemref	Quantity	Title/Name, designation, material, dimension etc			Article No./Reference	
Drawn by Stefan Augustsson		Checked by	Approved by - date		File name Tech Lift m4	Date 2021-03-01
				Tech Lift m4 with open door upper floor		
						Scale 1:1
						Edition
						Sheet 1 av 1

1

2

3

4

5

6