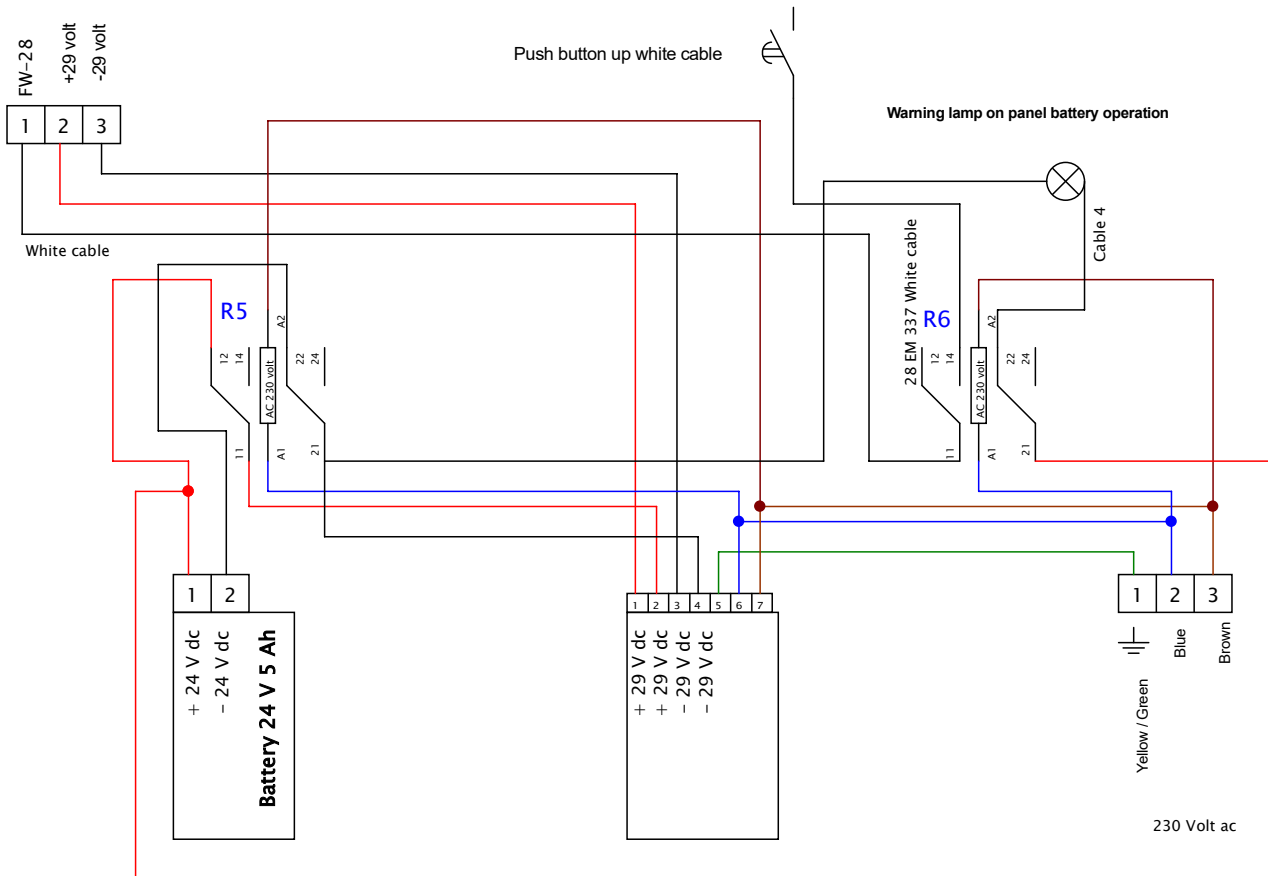



Battery Emergency lowering



Wiring diagram for battery emergency lowering Tech Lift M4

Responsible dep.	Technical reference	Created	Approved Stefan Augustsson	
Tech Line Brämhult 		Document type		
		Title, supplementary title Tech Lift M4	Date of issue 2019-10-21	Rev. Lang. Sheet