



TECH LIFT 500

Instructions

Produced by
Tech Line Sweden AB
Kyrkbacken 2, 507 90 Brämhult
Email: info@techline.nu Web: www.techline.nu

Content	Page
1.0 Purpose and use	2
1.1 Manufacturer	2
1.2 Purpose of the manual	2
1.3 Use	2
1.4 Important and warnings	2
2.0 Unpacking and preparation	3
2.1 Visual check	3
2.2 Safety rules	3
2.3 Mounting	3
3.0 Installation of the platform	4
3.1 Assembly step by step	4-5
3.2 To adjust the height	5
3.3 To adjust overload	5
3.4 Reset	6
3.5 Fixing to the floor	7
4.0 Electrical connections	7
5.0 Control panel	7-8
6.0 Transport	8
6.1 Packaging during transport.....	8
7.0 Service and Maintenance	8
7.1 Lifetime and service.....	8
7.2 Cleaning	8
7.3 What maintenance is required by the owner?	8
8.0 Inspection overall	8-9
8.1 Troubleshooting	9-10
9.0 Technical specifications	10

1.0 Purpose and use

1:1 Manufacturer

Tech Line Sweden AB
Kyrkbacken 2
507 90 Brämhult
SWEDEN
Phone: +46 (0)709 837972

1.2 Purpose of the Manual

The manual describes the standard model, which has a lifting height between 30 mm and 500 mm.

1.3 Use

Tech Lift 500 is designed for indoor and outdoor installation. The lifting platform can be used in temperatures between -25 and +40 degrees. The lifting platform can be used by people with reduced mobility (e.g. walking difficulties, wheelchair users, people with transport carts/bumpers) to overcome level differences where wheelchair ramps are too long or a normal lift is impractical or too costly. Driving on and off takes place at each end of the lifting platform. To ensure the safety of the user, the ramp acts as a safety stop. Great emphasis has been placed on design and implementation so that the product will be an attractive and harmonious installation in various private and public environments. In public environments where the lifting platform is under some supervision, it is recommended that it be locked to protect against unwanted use. It is assumed that the person using the lifting platform has the necessary knowledge of how it is used or that knowledgeable personnel are available.

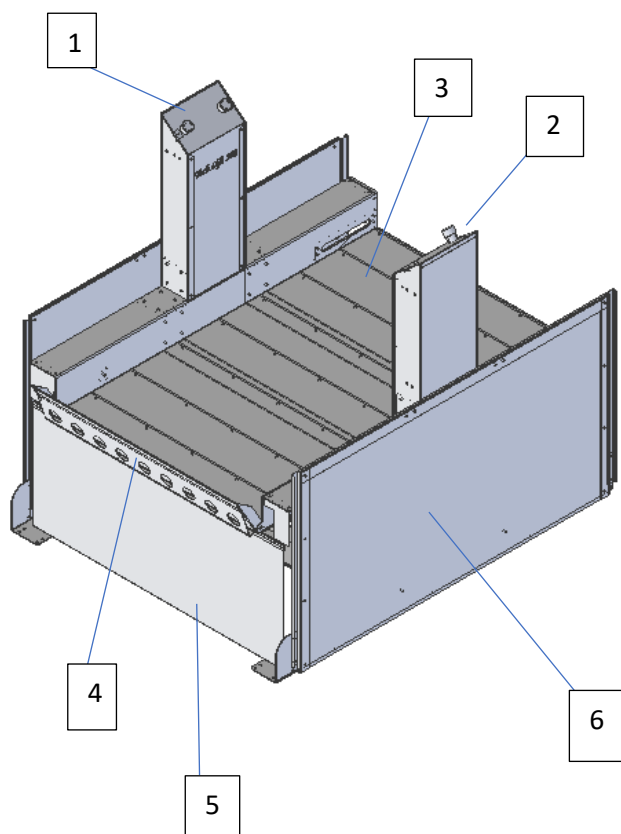
1.4 Important/Warnings

- All instructions should be read before using the product.
- Installation of the Tech Lift 500 must be carried out by an approved installer.
- Service on the electronics may only be performed by trained technicians.
- The MAXIMUM load of 250 kg must not be exceeded.
- The lifting platform and ramp must be clean of gravel, fallen leaves, snow, etc. before use.
- The lifting platform is intended for passenger transport and must be used in accordance with the instructions in this manual.
- The lifting platform must not be used in case of fire.
- The safety equipment may only be reset by qualified assistance.
- Playing with the lifting platform is prohibited.
- There must be a simple and easily accessible "emergency procedure" for users and accompanying persons. The emergency procedure must ensure that the user is not trapped on the platform in the event of an electrical or mechanical failure.

2.0 Unpacking and preparation

2.1 Visual check

If the packaging is damaged on delivery, the Tech Lift 500 must be carefully examined to ensure that there are no visible damages, defects or faults. If damage is suspected, the Tech Lift 500 must not be used until authorized by qualified service personnel.



1. Up and down buttons.
2. Emergency stop and overload indicator.
3. Platform
4. On and exit ramp
5. Security curtain
6. Security glass

2.2 Safety rules

Persons carrying out work under the platform during installation and any service must always turn off the power.

2.3 Mounting

Assembly of Tech Line 500 must be carried out by an approved fitter in accordance with Tech Line's instructions. Important! The platform must not be activated before the ramp and other parts are assembled.

3.0 Installation of the platform

Make sure that the platform cannot be surrounded by water. For example, it may be required that there is a drain pipe under the platform if it is placed outdoors. There must always be the possibility of drainage for outdoor use.

- Installation of the Tech Lift 500 must only be carried out by trained personnel.
- Connection to the fixed electricity network must be carried out by a qualified electrician.
- Avoid working with voltage on the product.
- Use the necessary protective equipment when assembling gloves/glasses.

3.1 Assembly instructions step by step

- Mount the elevator's glass sides with 6 M5 screws, pre-assembled on the sheet metal side.
- Place the lift in position in front of the ledge.
- Plug in the elevator's power cable.
- Remove the eight screws on the cover (Torx 15 M5 x 8), remove the cover (see Figure 1)



- Connect the blue marked cable for the ramp.



- Run the lift up and down and check the distance between the edge of the vault and the platform.

- Dismantle the cover for push buttons, under the cover on the right there is a height adjustment, see picture.



3.2 To adjust the height

Screw the plastic nut M6 and move in the track.

- To attach the lift to the floor/ground, see separate description.

3.3 To adjust overload

Remove the eight screws on the cover (Torx 15 M5 x 8), remove the cover.



Release the screws on the plate to the switch (hexagon socket head screws M4), move the plate to the back of the cover.



Test the lift and adjust if necessary, when the switch is activated a signal sounds and the small red light on top of the cover is on.

3.4

Reset

- When using for the first time, reset the control unit.

Keep both push buttons for up/down pressed for at least 10 sec, if the Tech Lift 500 is in its upper position the lift starts and goes down slowly (NOTE, both push buttons must be kept pressed until the Tech Lift 500 has come down to the lowest position and then wait for approx. 5 sec.)

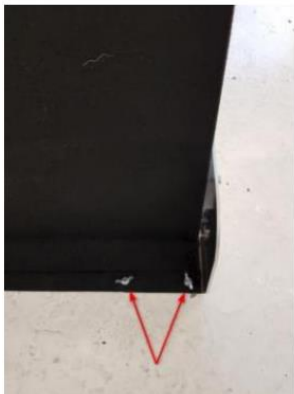
If the Tech Lift 500 is in its lowest position, keep the buttons pressed during at least 10 sec, then wait for another 5 sec reset is now complete.



3.5 Fixing to floor

Remove the two wing nuts on one side (only one side see picture 1) lift up the canvas, there are two holes behind the attachment to the canvas (see picture 2). Now do the same on the other side.

Picture 1



Picture 2



4.0 Electrical connection

- Power: 100-240V, 50-60 Hz
- Maximum consumption: 3.3 A

Connect the platform to the mains with the attached power cable. The cable can be used both indoors and outdoors.

- Brown wire: Phase wire
- Blue wire: Neutral wire
- Green/yellow wire: Earth wire
- When Tech Lift 500 is run on UPS the lift can be used approximately 10 times up and down.

Important! For safety reasons, the lifting platform must always be grounded.

5.0 Control panel

The lifting platform is controlled with a control panel. The lifting platform is made to be easy to use even without prior knowledge.



1

2



3

4

1. Down
2. Up
3. Emergency Stop
4. Overload signal

Press and hold button 2 to raise the lift, the ramp folds up to prevent run-off. Press and hold button 1 to lower the elevator. In the event of an emergency, press the emergency stop, button 3. To release the emergency stop, turn the button clockwise. If the lift is overloaded, the lamp lights up at 4 and the lift cannot move until the overload is removed. This is the same when it run on UPS.

6.0 Transport

The lift is sent on a transport pallet.

6.01 Packaging during transport

The lifting platform should always be transported in the original packaging.

7.0 Service and maintenance

7.1 Lifetime and service

Lifetime is based on proper use, cleaning and maintenance, as well as annual inspection and maintenance by qualified personnel or service personnel from your distributor. At the end of the period, the Tech Lift 500 must be evaluated by qualified personnel to determine future use. Spare parts lists and drawings can be requested from the manufacturer or distributor.

7.2 Cleaning

Tech Lift 500 is cleaned with a sponge or brush and soapy water. Tech Lift 500 can be cleaned or rinsed under normal water pressure but must not be washed with high pressure washing. Never use acids, bases or solvents when cleaning.

7.3 What maintenance is required by the owner?

Normal cleaning.

That it is kept clean around the platform, so that the operation is not disturbed by stranger subjects.

8.0 Inspection - overall

Important!

The power must be turned off when the service technician is under the lift platform. During the service inspection, a report must be written on what has been inspected and replaced. Parts that are worn or defective must be replaced with new spare parts from Tech Line Sweden AB.

1. Visual inspection of the product

- Check that there is no wear on the product.
- Check that there are no errors.
- Check that there is no other form of damage to the product.

2. Test the product as in normal use

- Check all functions of the product with and without load.
- Check that the emergency lowering is working.

3. Check the electronics

- Check electrical functions and signals.
- Check that there are no errors and damage to the cables.
- Check cable entries.
- Check connectivity options, contacts, etc.
- Check the tightness of the control box.

4. Check the mechanics of the product

- Clean the product from dirt.
- Inspect and evaluate vital parts of the product.
- Replace defective and worn parts.
- Check and tighten vital parts.
- Lubricate the product.

5. Go through the instructions through point two again and check that everything is working

6. Have new problems arisen or new problems discovered under point 5?

- Go back to point two if new problems have occurred.
- If no new problems have arisen, the inspection ends.

8.1

Troubleshooting

No electrical functions.

The emergency stop button has been pressed. Turn the emergency stop button to the right.

The fuse is broken. Replace the fuse or reset the RCD.

The platform becomes slanted in the downward direction

If the platform is driven downwards and the platform starts to tilt or noises occur, the movement must be stopped immediately to check so that no obstacle has come under the platform.

Light for overload lights up

Remove weight from the lift, observing the maximum weight specified for the platform 250 kg.

The lifting platform does not go up

Check that the emergency stop is not pressed.

The elevator goes up unevenly and stops

Probable synchronization failure, hold both buttons until the elevator slowly descends. Do not release the buttons until the elevator has stopped at the bottom and wait another 5 seconds.

Ramp does not fold up in upward motion

The likely fault is the ramp motor, contact distributor, under no circumstances should the lift be used unless the ramp is folded up to ensure safety.

9.0 Technical specifications

Outside Dimensions (L x W)	1429 x 1050 mm
Inside dimensions (L x W)	1250 x 800 mm
Lift height	30 to 500 mm
Weight	51 kg
Maximum load	250 kg
Lifting speed	max 25 mm / sec
Electrical connection	230V
Power Consumption in Standby	0.3 W
Power Consumption in Operation	200 VA / 24V
Fuse	10A
Sound level	52 dB (A)
Sealing Class Lifting Platform Components	IP 65

Is manufactured in accordance to:

- 2006/42/EG av 17 May 2006 – Machinery Directive
- 2004/108/EF av 15 December 2004 – EMC – Directive
- 2004/EF av 12 December 2006 – Low voltage directive

And in accordance with the relevant requirements of:

- EN-81-41:2010 Safety rules for the construction and installation of lifts. Special lifts for transport and persons and goods - Part 41: Vertical platform lifts intended for people with reduced mobility.

Manufacturer:

TECHLINE
SWEDEN AB

Tech Line Sweden AB

Kyrkbacken 2
SE-507 90 Brämhult
Email: info@techline.nu
Phone: +46 (0)723 735506 or +46 (0)709 837972
Webpage: www.techline.nu
VAT-nr: SE559248058501